

VERTICAL AIR RECEIVERS

Glenco Manufacturing offers a popular range of vertical air receivers that are specifically designed for use in industrial compressed air systems.

These premium quality pressure vessels are exclusively made in our affiliated factory that is ISO 9001 compliant and also certified by the American Society of Mechanical Engineers (ASME).

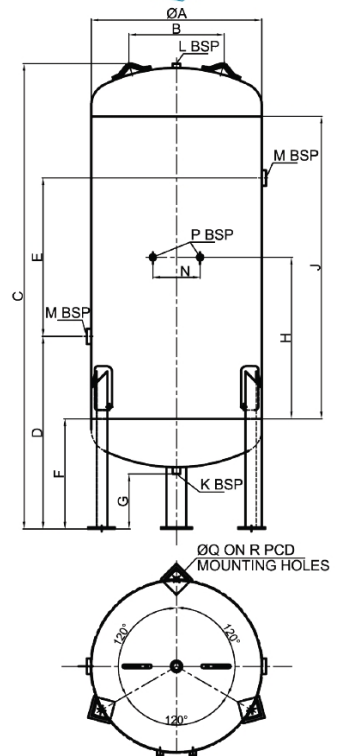
Save time and money when purchasing a vertical air receiver by selecting from our extensive stock of competitively priced pressure vessels that are available for immediate delivery to anywhere in Australia.



Unique Features

- Designed, manufactured and tested in accordance with Australian Standard AS 1210.
- Manufacturer's Data Report provided in accordance with Australian Standard AS 4458.
- OH&S Registered Design approved for workplace use in all Australian States and Territories.
- Industry preferred socket sizes and placement. Reinforced vessel support attachments.
- External surfaces are abrasive blast cleaned, primed, finish coated in two pack polyurethane paint and then oven dried.
- Blue external colour (similar to Dulux® Process Blue) indicates compressed air content in accordance with Australian Standard AS 1345.
- Individually packed in a horizontal position inside a full timber crate with plastic bag cover.

Specifications



PRODUCT CODE	VOLUME Litres	DESIGN PRESSURE kPa	DIMENSIONS																WEIGHT kg
			A mm	B mm	C mm	D mm	E mm	F mm	G mm	H mm	J mm	K inch	L inch	M inch	N mm	P inch	Q mm	R mm	
FS V150LP	150	1,320	390	214	1,700	750	450	375	250	622	1,200	1/2	3/4	1-1/2	150	1/2	14	388	72
FS V330LP	330	1,210	490	250	2,210	780	900	405	250	825	1,650	1/2	3/4	1-1/2	150	1/2	14	505	125
FS V530LP	530	1,280	640	348	2,140	820	750	445	250	750	1,500	1/2	3/4	2	150	1/2	14	667	200
FS V820LP	820	1,154	780	360	2,215	875	720	500	250	735	1,470	3/4	3/4	2	150	1/2	18	791	300
FS V1240LP	1,240	1,035	975	500	2,213	889	690	514	250	720	1,440	3/4	1	2	150	3/4	18	967	430

• Design temperature range: 0°C to 100°C. • Design fluid contents: Non harmful gas. • Inspection openings and nameplate not shown for clarity.
• All socket threads are BSPP (British Standard Pipe Parallel). • Specifications are subject to change without notice.



Compressed Air Specialists

25 Snow St South Lismore, 2480
Ph: (02) 6621 7178 Fax: (02) 6622 1486
www.andersonpneumatics.com.au

Accessories

Matching pressure vessel accessory kits are not supplied as standard, but can be purchased separately. Each kit includes a safety valve, pressure gauge, manual drain valve and associated pipe fittings.

